


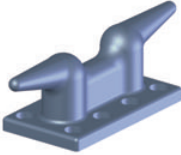

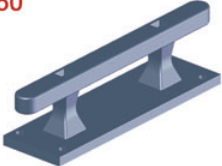





Mooring Cleat Products

CL 16		CL 18		CL 24		CL 36	
							
Pull Tonnage	Type	Pull Tonnage	Type	Pull Tonnage	Type	Pull Tonnage	Type
5	CL16 - 5	5	CL18 - 5	10	CL24 - 10	10	CL36 - 10
8	CL16 - 8	10	CL18 - 10	15	CL24 - 15	15	CL36 - 15
10	CL16 - 10	15	CL18 - 15	20	CL24 - 20	20	CL36 - 20
15	CL16 - 15	20	CL18 - 20	25	CL24 - 25	30	CL36 - 30
CL 42		CL 50		CL 57			
							
Pull Tonnage	Type	Pull Tonnage	Type	Pull Tonnage	Type		
15	CL42 - 15	15	CL50 - 15	20	CL57 - 20		
25	CL42 - 25	20	CL50 - 20	30	CL57 - 30		
30	CL42 - 30	30	CL50 - 30	40	CL57 - 40		
35	CL42 - 35	40	CL50 - 40	50	CL57 - 50		

Notes

- All dimensions are in mm. All ratings are in metric ton. Standard material is cast steel ASTM A27 65-35.. Customization of style, dimension, and material available. Contact us for details
- All designs are based on combinations of finite element analysis, theoretical calculations, actual product proof load and destructive pull tests, as well as actual installation experience.
- Each cleat series lists several models suitable for different ratings. A model number plus a specific line pull rating makes up a complete part number.
- Standard surface preparation is sand blasting to SSPC-10 with >300 um DFT zinc rich primer & coal tar epoxy.
- Certifications from major classification societies such as ABS, LR, GLR, BV, DNV, are available.
- All specs and dimensions are subject to revision without notice. Please contact us to verify prior to ordering.
- Cleats are primarily used for small craft mooring. Also refer to Zalda DB / SB series mooring bollards, Z series quick release mooring hooks and Zalda deck mooring product brochures for mooring devices suitable for other applications.

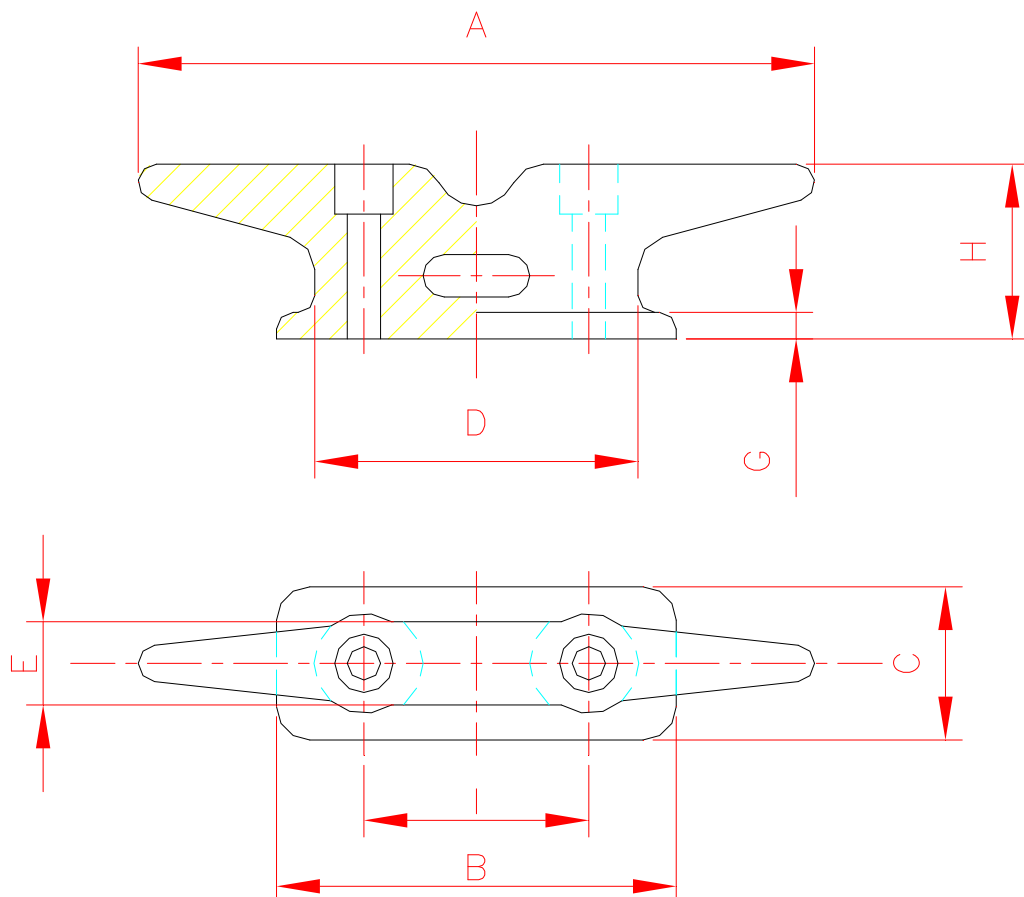
Standard Casting Steel Specifications

Min. Tensile Strength	450 Mpa
Min. Yield Strength	240 Mpa
Min. Elongation	24%
Min. Reduction of Area	35%

16" CLEAT – SERIES CL16

Pull Tonnage	Type	A	B	C	D	E	G	H	I	Bolt Dia.	Bolt No.
5	CL16-5	406	200	80	180	45	16	90	120	M16	2
8	CL16-8	406	240	92	194	50	16	105	135	M22	2
10	CL16-10	406	285	100	210	60	25	115	140	M25	2
15	CL16-15	406	305	127	230	90	30	120	155	M39	2

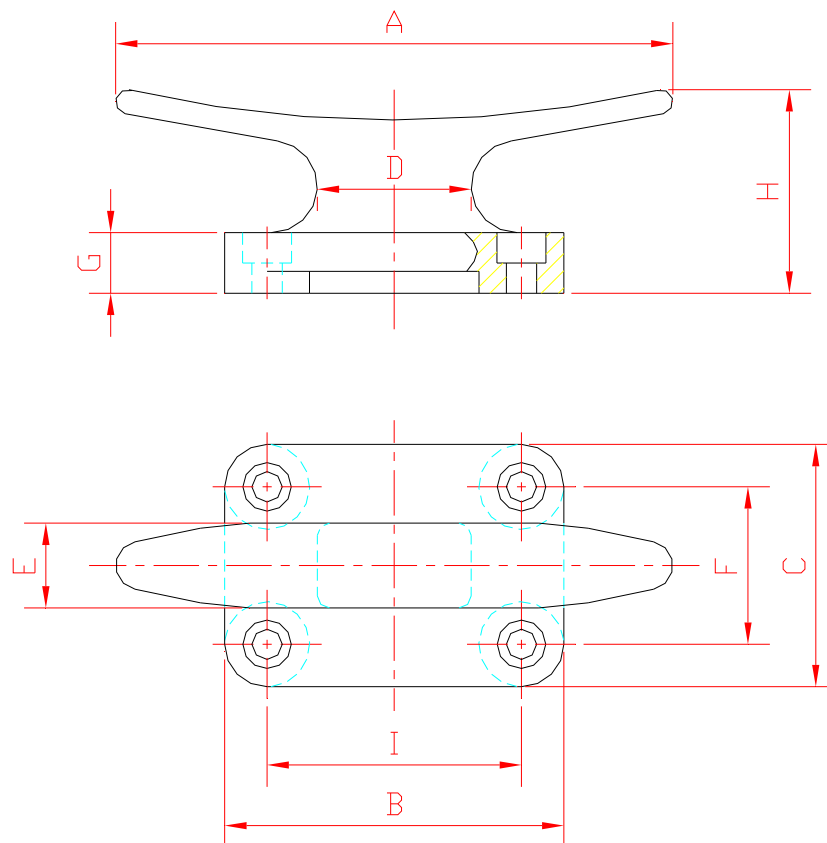
✧ All Dimensions in mm / All Material in ASTM A27 / Available for Customize



18" CLEAT – SERIES CL18

Pull Tonnage	Type	A	B	C	D	E	F	G	H	I	Bolt Dia.	Bolt No.
5	CL18-5	460	250	180	115	65	120	45	165	200	M20	4
10	CL18-10	460	280	200	127	70	130	50	185	210	M22	4
15	CL18-15	460	305	230	135	90	150	60	195	235	M27	4
20	CL18-20	460	330	250	150	100	160	65	200	250	M33	4

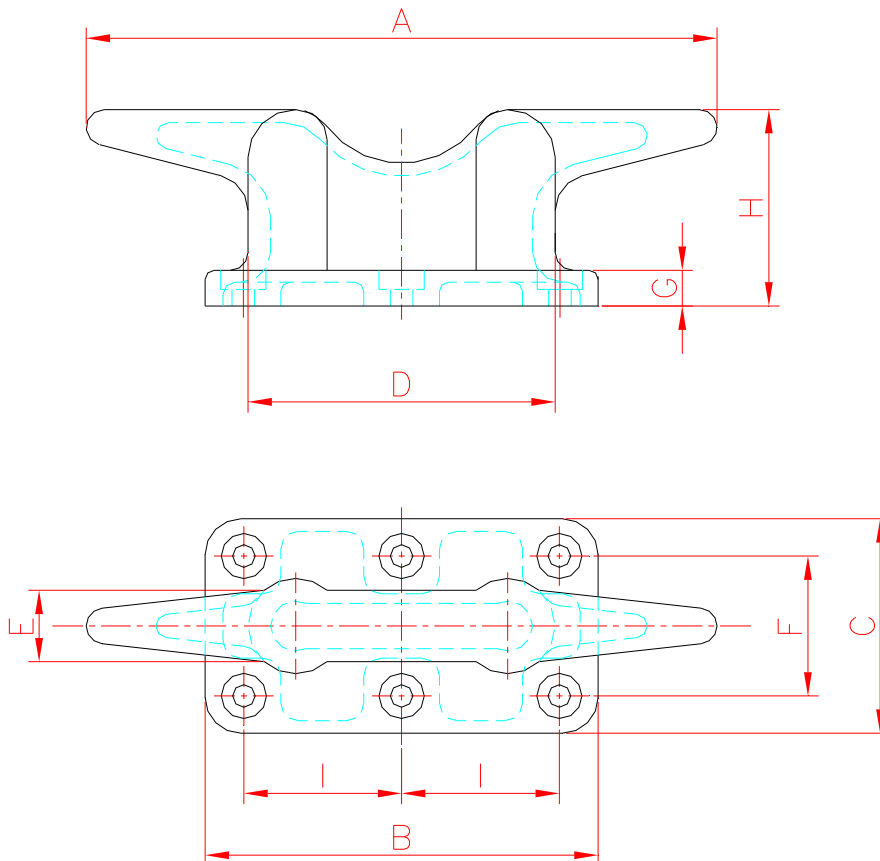
✧ All Dimensions in mm / All Material in ASTM A27 / Available for Customize



24" CLEAT – SERIES CL24

Pull Tonnage	Type	A	B	C	D	E	F	G	H	I	Bolt Dia.	Bolt No.
10	CL24-10	610	380	220	280	60	140	40	180	140	M20	6
15	CL24-15	610	394	240	305	70	152	45	197	152	M22	6
20	CL24-20	610	430	270	330	90	180	55	220	170	M27	6
25	CL24-25	610	460	280	355	100	190	60	250	200	M30	6

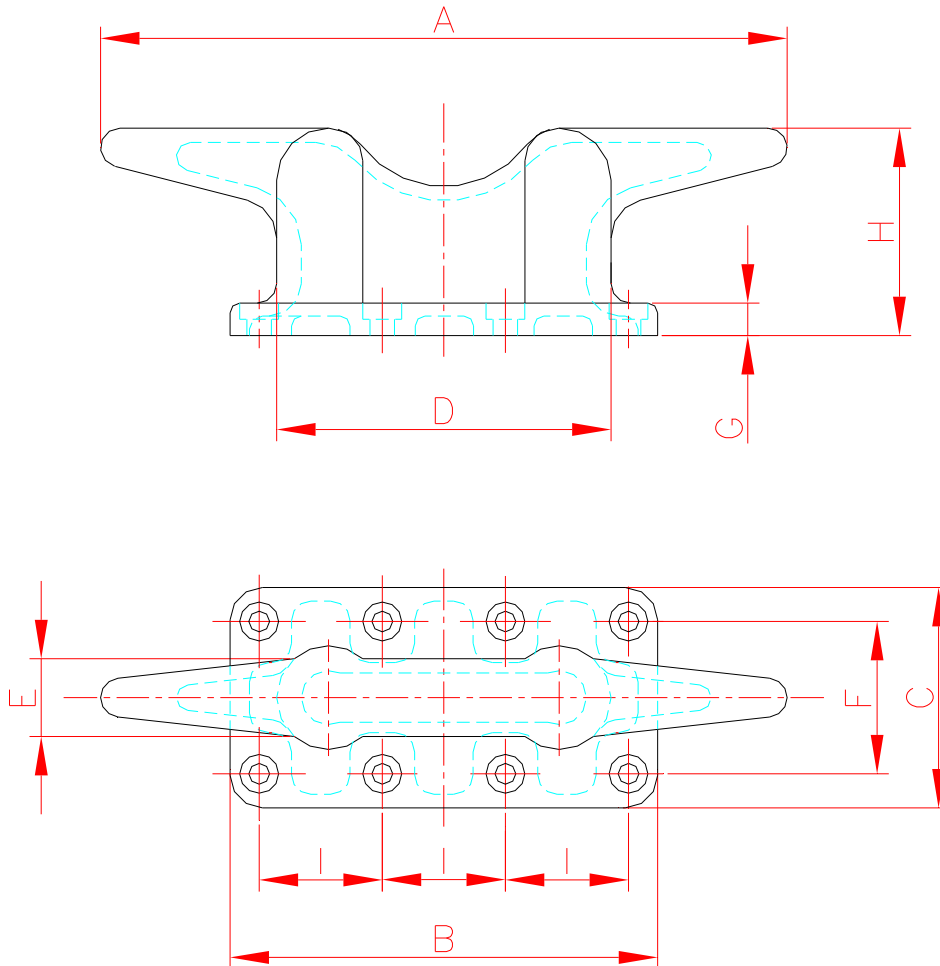
✧ All Dimensions in mm / All Material in ASTM A27 / Available for Customize



36" CLEAT – SERIES CL36

Pull Tonnage	Type	A	B	C	D	E	F	G	H	I	Bolt Dia.	Bolt No.
10	CL36-10	915	533	305	445	100	205	45	250	152	M20	8
15	CL36-15	915	570	310	457	115	210	50	270	160	M22	8
20	CL36-20	915	600	330	460	125	230	55	305	170	M24	8
30	CL36-30	915	610	381	470	130	250	60	330	180	M30	8

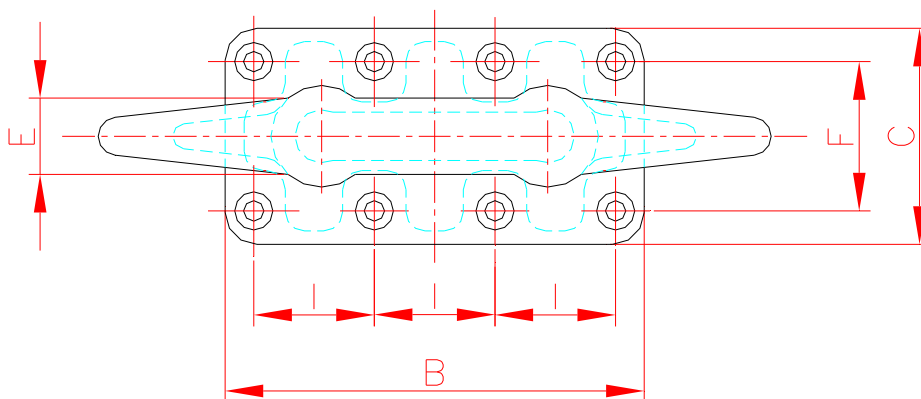
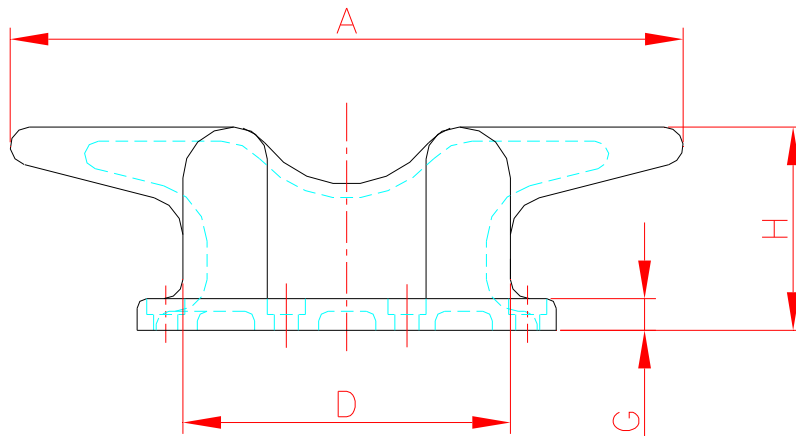
✧ All Dimensions in mm / All Material in ASTM A27 / Available for Customize



42" CLEAT – SERIES CL42

Pull Tonnage	Type	A	B	C	D	E	F	G	H	I	Bolt Dia.	Bolt No.
15	CL42-15	1060	610	305	495	120	208	45	305	180	M25	8
25	CL42-25	1060	660	336	536	130	230	50	320	190	M27	8
30	CL42-30	1060	700	356	565	150	265	55	330	210	M30	8
35	CL42-35	1060	750	380	610	165	280	60	350	236	M33	8

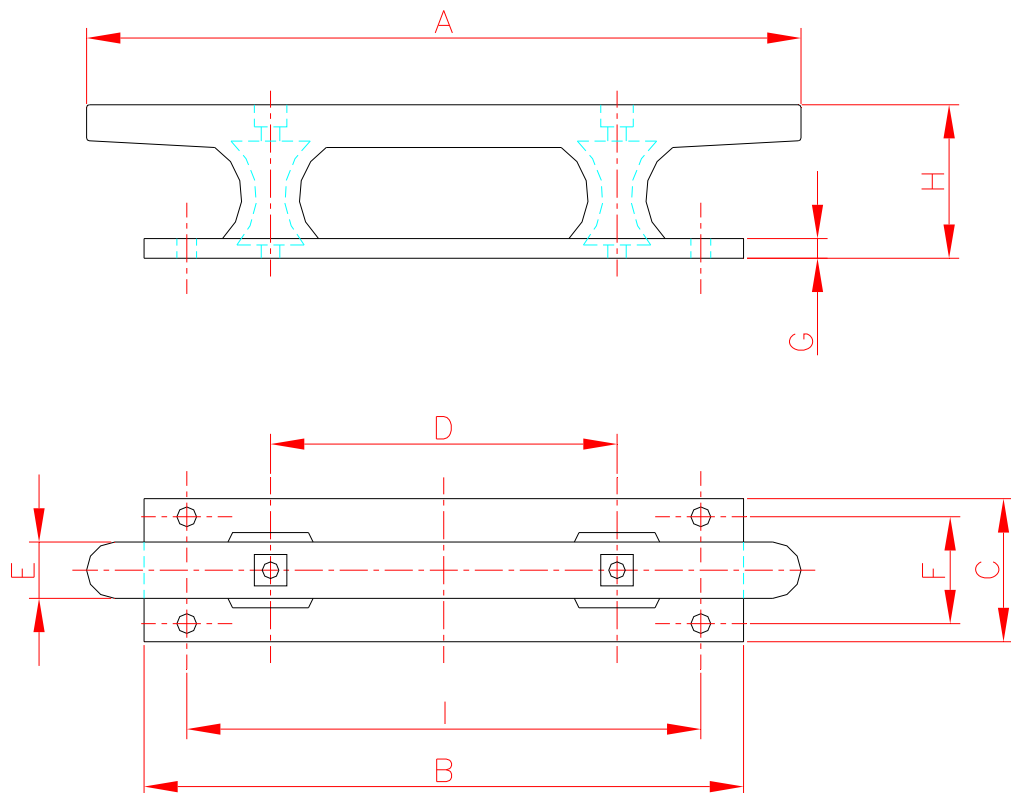
✧ All Dimensions in mm / All Material in ASTM A27 / Available for Customize



50" CLEAT – SERIES CL50

Pull Tonnage	Type	A	B	C	D	E	F	G	H	I	Bolt Dia.	Bolt No.
15	CL50-15	1270	1000	220	580	90	170	30	254	855	M22	6
20	CL50-20	1270	1060	254	615	100	190	35	273	915	M24	6
30	CL50-30	1270	1080	300	620	105	230	40	280	915	M30	6
40	CL50-40	1270	1100	330	650	110	250	45	305	955	M36	6

✧ All Dimensions in mm / All Material in ASTM A27 / Available for Customize



57" CLEAT – SERIES CL57

Pull Tonnage	Type	A	B	C	D	E	F	G	H	I	Bolt Dia.	Bolt No.
20	CL57-20	1450	280	140	560	140	100	32	280	200	M20	8
30	CL57-30	1450	305	152	610	152	114	38	290	216	M25	8
40	CL57-40	1450	406	159	620	159	120	40	300	260	M27	8
50	CL57-50	1450	420	165	660	165	127	45	330	270	M33	8

✧ All Dimensions in mm / All Material in ASTM A27 / Available for Customize

